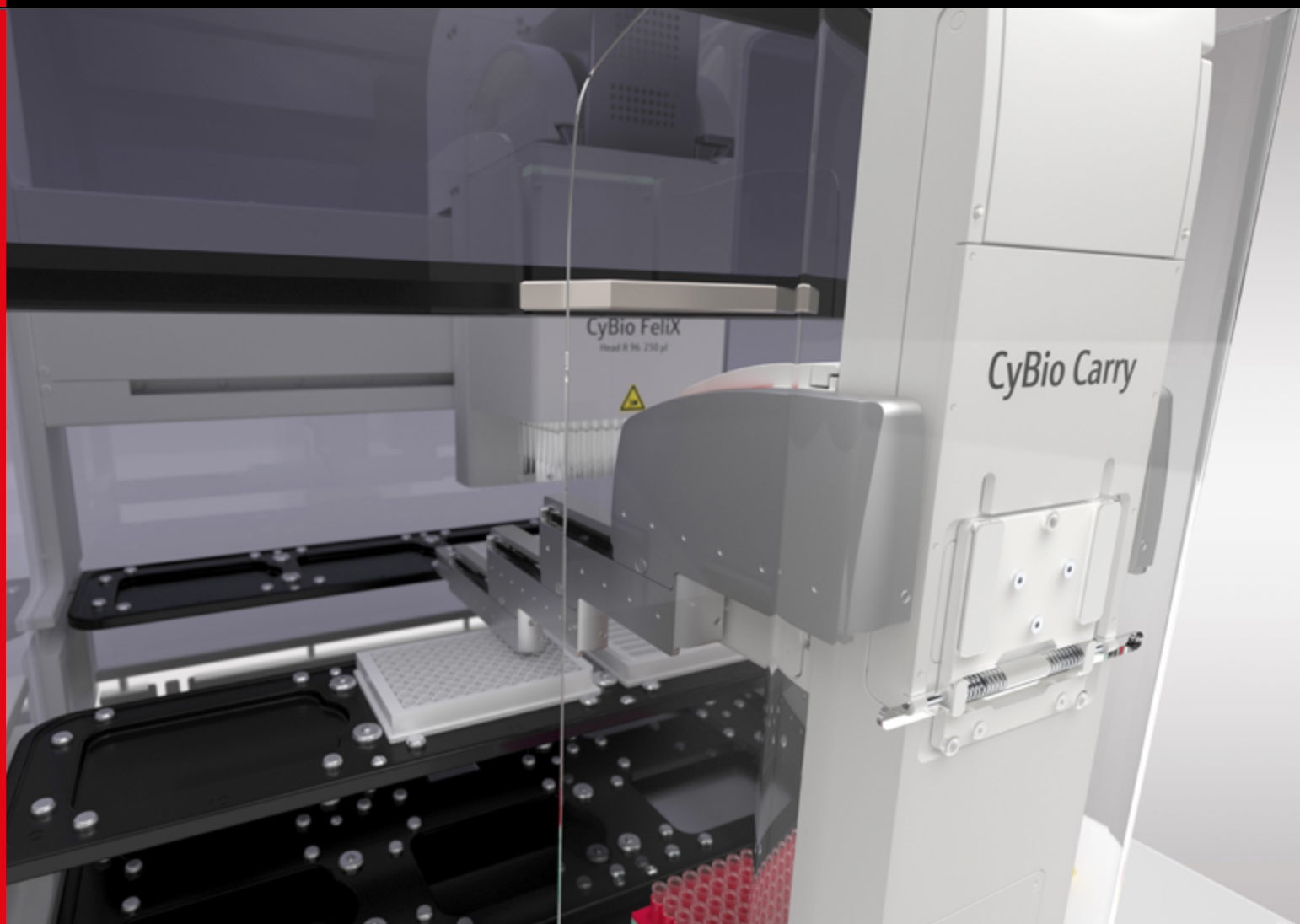


Carries Your Workflow

CyBio Carry



Lab Bench

CyBio Carry

The user-friendly CyBio Carry robot automates your workflow – with the smallest footprint on top of your lab bench.

Start Simple. Start Smart. Start Saving.

It has never been easier to start with automation!

CyBio Carry allows the evolution of proven manual procedures into reliable and highly efficient automated processes on your lab bench.

Start Simple

- **Friendly** – Easy integration & user-friendly handling
- **Profitable** – Reap the profits of automation without much effort

Start Smart

- **Familiar** – User oriented, from experts developed solutions
- **Safe** – Smart cobot for operator security

Start Saving

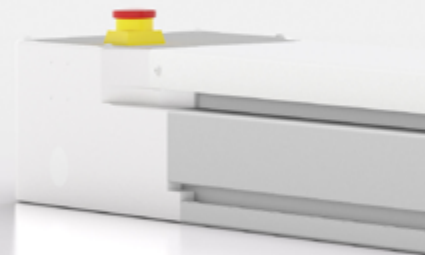
- **Compact** – Optimized usage of available lab space
- **Flexible** – Scalable integration of different devices

Unlike a traditional laboratory robot, the CyBio Carry is perfectly suited for labs with limited space. Its smart design allows you to maintain full accessibility of integrated devices for stand-alone use. Additional shuttle position maximizes flexibility with integrated smart object detection for safety and reliability. Plus, with the CyBio Carry's positioning kit you can add devices simply, quickly, and reliably.

Harmonically integrated in CyBio Composer Software, within the user-friendly editor for teaching and configuring

of your lab bench automation, CyBio Carry can easily be controlled.

The powerful scripting environment offers maximized functionality, smooth integration for a wide range of 3rd-party instruments, comprehensive database connectivity and a sophisticated fault security.





CyBio Carry

Carries Your Workflow

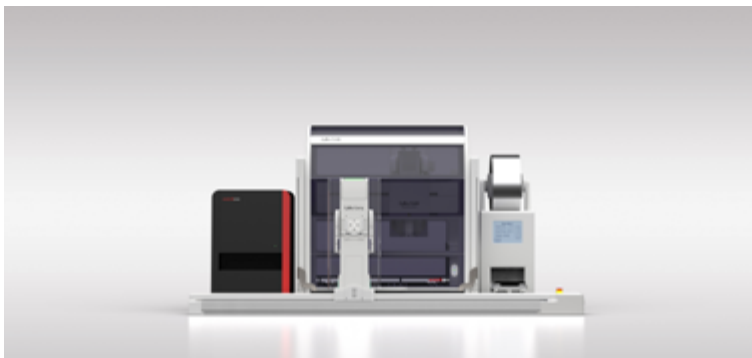
Lab Bench Automation With CyBio Carry

With the different rail lengths, a wide variety of possible applications can be configured.



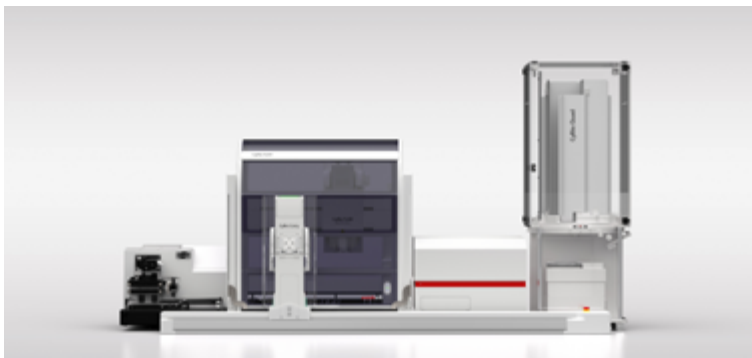
Fill, print and seal platform – 800 mm

CyBio Carry 800 combined with CyBio QuadPrint labware stacker/ barcode printer (Analytik Jena), PlateLoc Sealer (Agilent) and MultiDrop™ Combi Dispenser (Thermo Fisher Scientific)



qPCR platform – 1200 mm

CyBio Carry 1200 combined with CyBio FeliX automated liquid handler, qTOWER³ auto qPCR-cycler (Analytik Jena) and PlateLoc Sealer (Agilent)



ELISA platform – 1400 mm

CyBio Carry 1400 combined with CyBio FeliX automated liquid handler, CyBio QuadStack labware stacker (Analytik Jena), FLUOstar Omega-Reader (BMG Labtech) and EL406-Washer (Biotek)

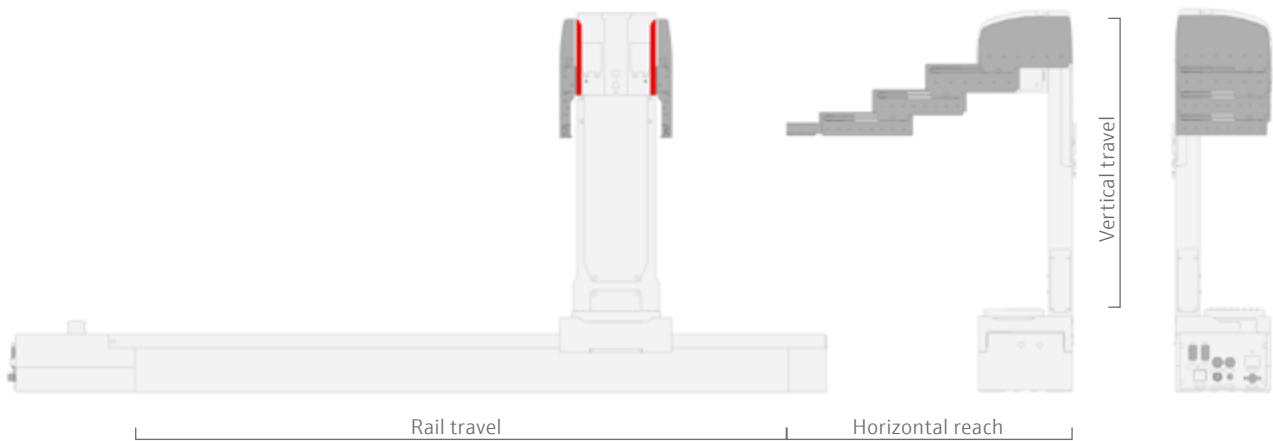
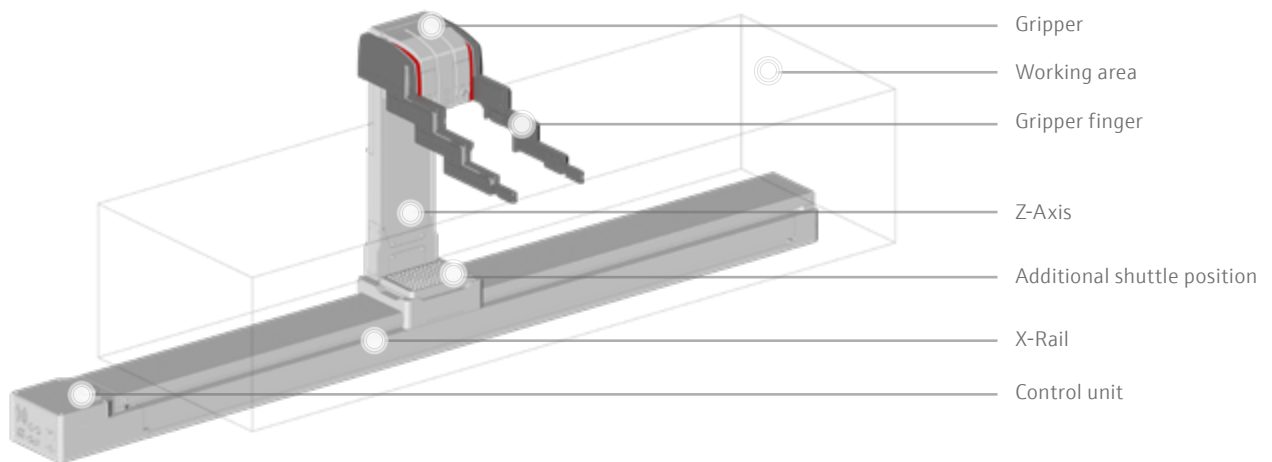


Tube rack label and fill platform – 2000 mm

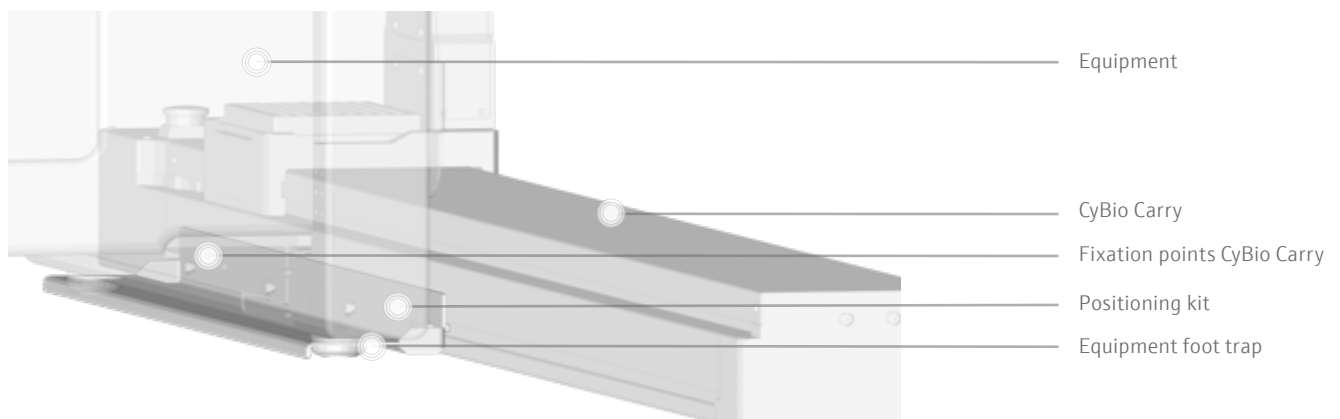
CyBio Carry 2000 combined with CyBio FeliX automated liquid handler, CyBio QuadStack labware stacker, CyBio QuadPrint barcode printer (Analytik Jena), LabElite™ DeCapper™ (Hamilton) and EL406-Washer (Biotek)

System Composition

General designations



Positioning kit



Technical Data

System features

- Ultra-compact design that fits on your standard lab benches
- Simple and easy workflow automation
- Smart configuration using our novel device positioning kit
- Collaborating robot (Cobot) with integrated smart object detection
- Maximized workflow integrity with operator security
- Sleek design optimizes ability for CyBio Carry to accommodate a broad spectrum of both instruments and labware
- Automated operation for a minimum hands-on-time
- Operated using our CyBio Composer software that includes over 160 plug-ins for 3rd party devices.
- Safe and reliable platform that ensures maximum user and sample safety

Max payload	0.5 kg
Vertical reach	240 mm
Horizontal reach	290 mm
Rail travel	X1 = 800 mm X2 = 1200 mm X3 = 1400 mm X4 = 2000 mm
Max rail speed	500 mm/s
Size (WxDxH)	(Rail travel + 250) x 130 x 530 mm
Labware orientation	Landscape
Labware compatibility	ANSI SLAS compliant microplates including deep well microplates and skirted PCR
Labware detection	On additional shuttle position
Labware transport	2 shuttle position at once, 1 microplate by gripper, 1 microplate by additional shuttle position
Control	CyBio Composer via PC
Interface	RS232/Ethernet
Power supply	100 - 240 V AC

Headquarters

Analytik Jena GmbH
Konrad-Zuse-Str. 1
07745 Jena · Germany

Phone +49 36 41 77 70
Fax +49 36 41 77 9279
info@analytik-jena.com
www.analytik-jena.com

Pictures: Analytik Jena GmbH
Subjects to changes in design and scope of delivery as well as further technical development!