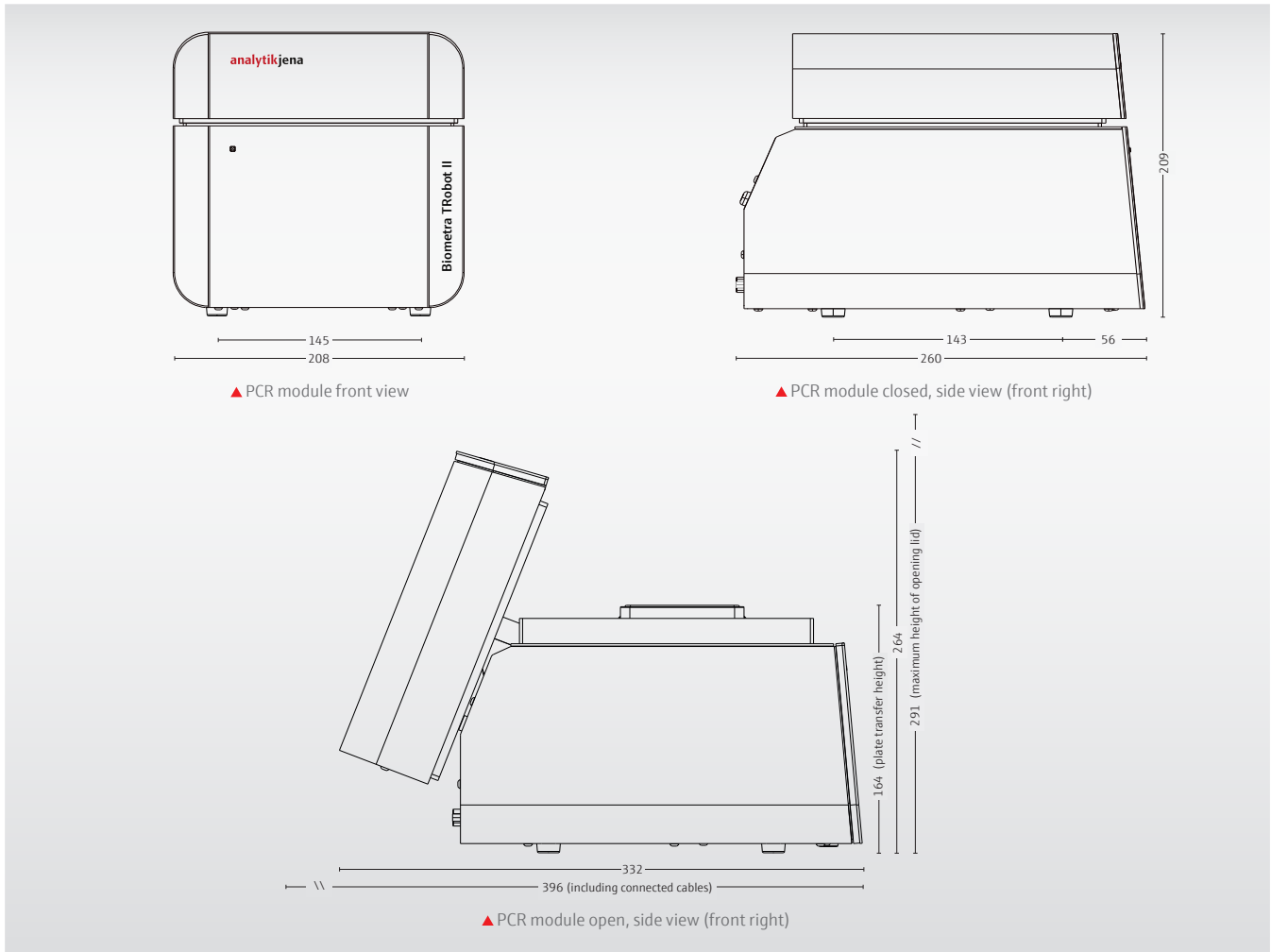


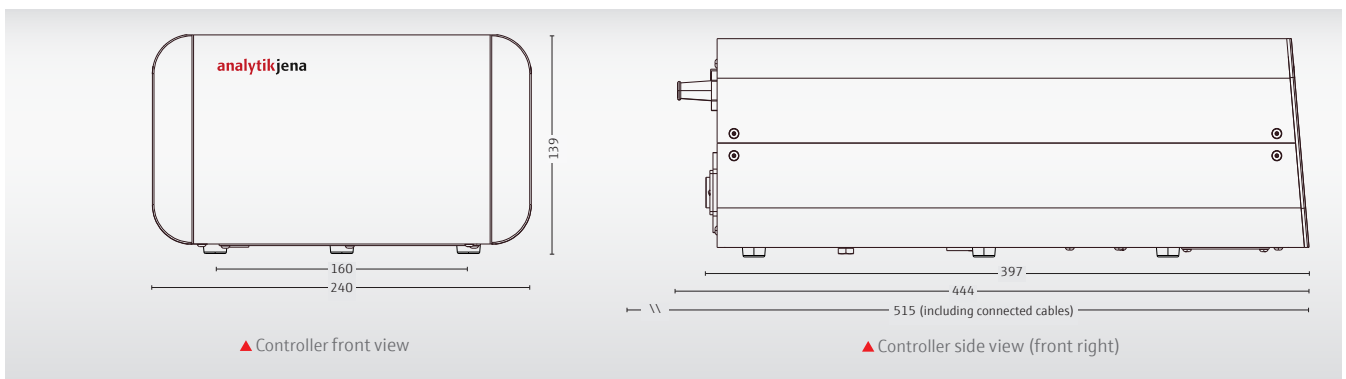
Dimensions Overview for Biometra TRobot II

Biometra TRobot II PCR module



Data given in mm.

Biometra TRobot II controller



Data given in mm.

07/2020
 This document is true and correct at the time of publication; the information within is subject to change.
 Other documents may supersede this document, including technical modifications and corrections.